

AERODROME OBSTACLE CHART - ICAO
TYPE A (OPERATING LIMITATIONS)

RIGA
RWY 18/36

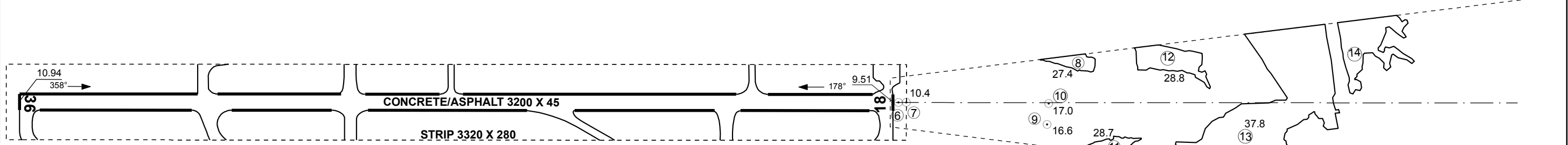
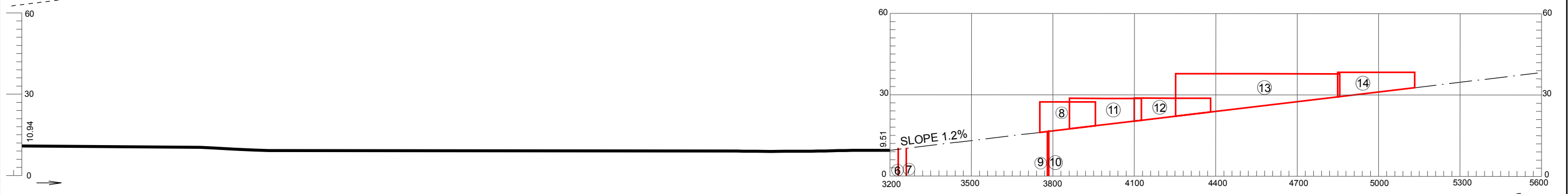
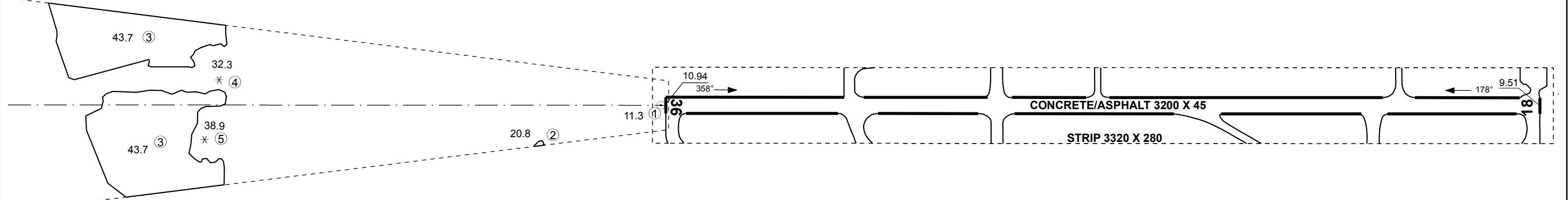
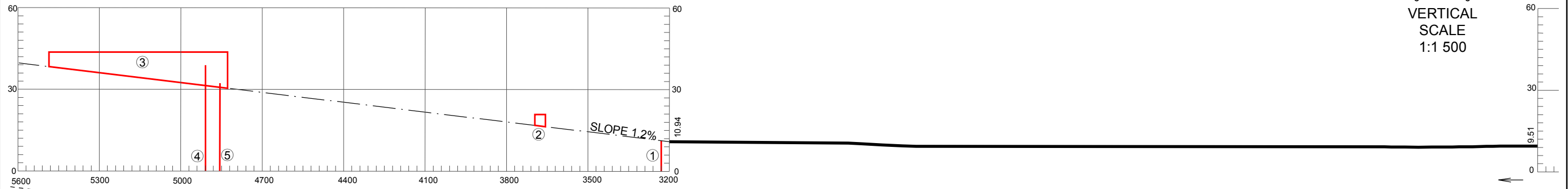
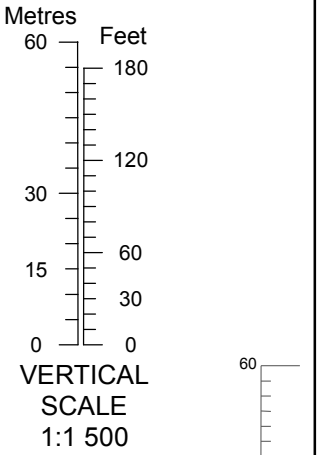
DIMENSIONS AND ELEVATIONS IN METRES

MAGNETIC VARIATION 7°E (2012)

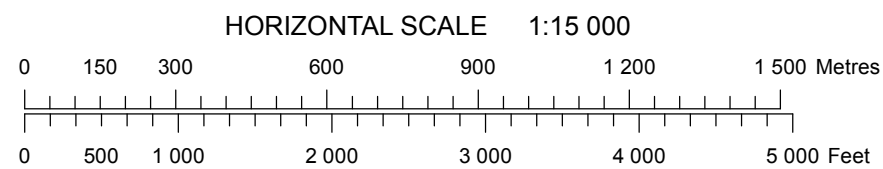
ORDER OF ACCURACY
HORIZONTAL 0.61 METRES
VERTICAL 0.15 METRES

RWY 18/36

DECLARED DISTANCES		
RWY 36		RWY 18
3200	TAKE-OFF RUN AVAILABLE	3200
3200	TAKE-OFF DISTANCE AVAILABLE	3200
3200	ACCELERATE STOP DISTANCE AVAILABLE	3200
3200	LANDING DISTANCE AVAILABLE	3200



LEGEND	
ANTENNA, POLE	⊙
TREE	*
FOREST, VEGETATION	⬭
IDENTIFICATION NUMBER	④



Changes: Strip dimensions changed, RESA removed, editorial.

INTENTIONALLY LEFT BLANK